



X5 - Pipeline X-ray Inspection System

Designed for Food & Packaging Industries

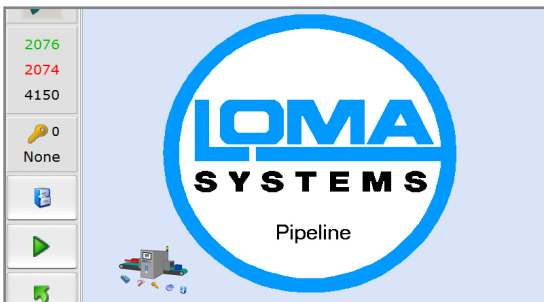
Product Highlights

- X-Ray system designed for use in pipelines with a wide range of free flowing product
- Good detection of all metals, bone, glass and dense plastics
- Can be used with a wide range of products including Mince Meat & Slurries
- Built for 24/7 operation with pass key Protective Set-up for added security and control
- Windows (WES) Industrial Grade PC with modem, Ethernet and Front Access USB Port
- Unique USB high speed, high stability, detector array with 0.4mm diode pitch



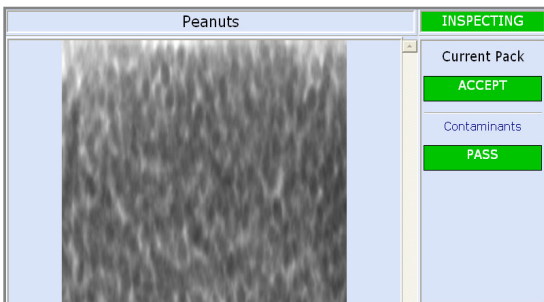
Excellent Detection Levels of Bone and also Metallic Contaminants

The X5 Pipeline offers great inspection capabilities on Bone as well as stainless steel, ceramic, glass and dense plastics.



Easy to Use Intuitive Full Colour Touchscreen

The X5 Pipeline includes an Icon driven full colour touchscreen control interface with easy to use product learn and features and layout.



Data Logged Events and Images for Full Traceability

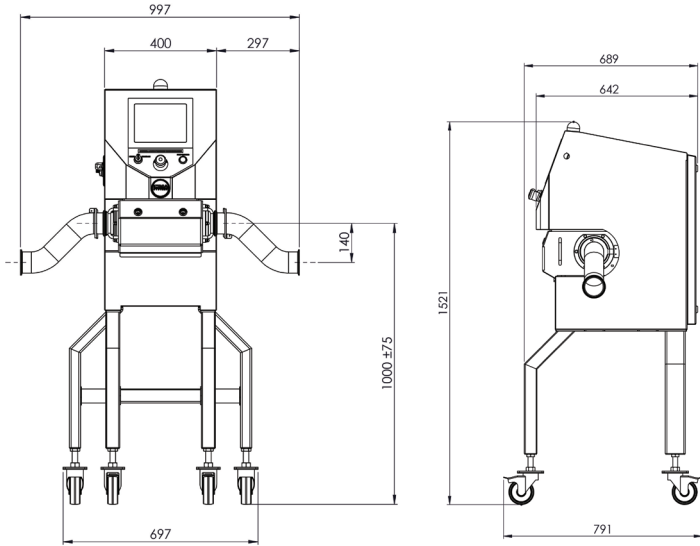
Date stamped reject images designed to comply with 21CFR Part 11 requirements are internally stored and can be removed via USB or Ethernet.



Environment Ready, IP69k Independently Rated

Fully IP69k rated and designed for harsh wash-down environments with easy to clean components.

Technical Specification



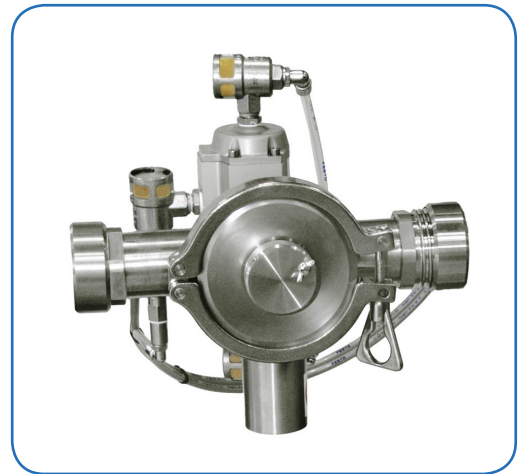
Finish	304 Stainless Steel (Brushed)
System Length	400mm (Without Reject)
Line Height Option	750mm - 1050mm +/- 50mm
Pipe Diameter	64mm or 75mm
X-Ray Output	150W (60kV 2.4mA)
IP Rating	IP69k
Power Requirements	230V AC, 50Hz or 110v AC 60Hz, Single Phase Mains
Cooling	Vortex
Operating Environment	0 to 30°C Vortex
X-Ray Safety	Leakage less than 1 µSv/h
Reporting	Event, Batch, Shift
Data Retrieval	Via USB, Ethernet, Enet

Automatic Reject Options

The X5 Pipeline can be used with the following reject options:

- ARL Valve - Typically Used for Most applications

All of our reject systems are designed to be bespoke. Please contact your sales manager for more details.



An ITW Company

Loma Systems is a registered trademark of Illinois Tool Works Inc. (ITW). Other names, logos, icons and marks identifying our products and services referenced herein are trademarks of ITW and may not be used without the prior written permission of ITW. Other product and company names listed are trademarks or trade names of their respective companies. Copyright © 2016 Illinois Tool Works Inc. All rights reserved. All of the specifications shown in this document are subject to change without notice.

www.loma.com

Tel: +44(0)1252 893300 (UK) | +1-800-872-LOMA (North America)

Metal Detection | Checkweighing | X-Ray Inspection

In association with



X5PIPE_893201704