



# CW3 RUN-WET® Checkweigher System

Designed for Harsh Washdown Environments

Dynamic  
Checkweigher

The RUN-WET® CW3 Checkweigher is a fully IP69 rated checkweigher designed to the latest industry leading principles for optimum hygienic standards.

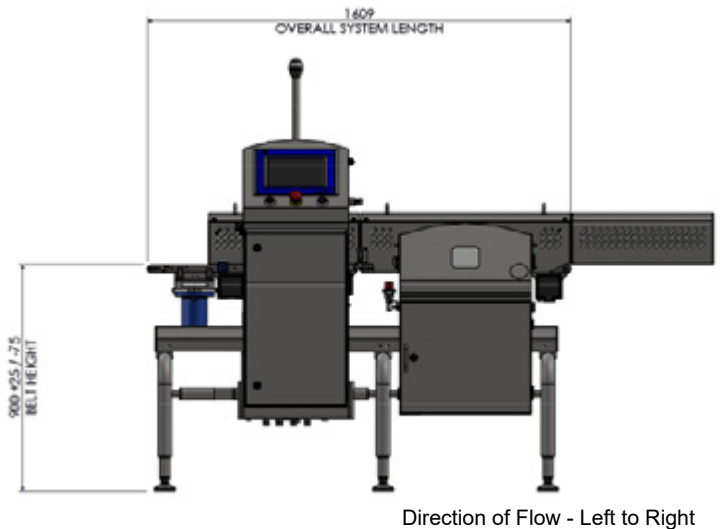
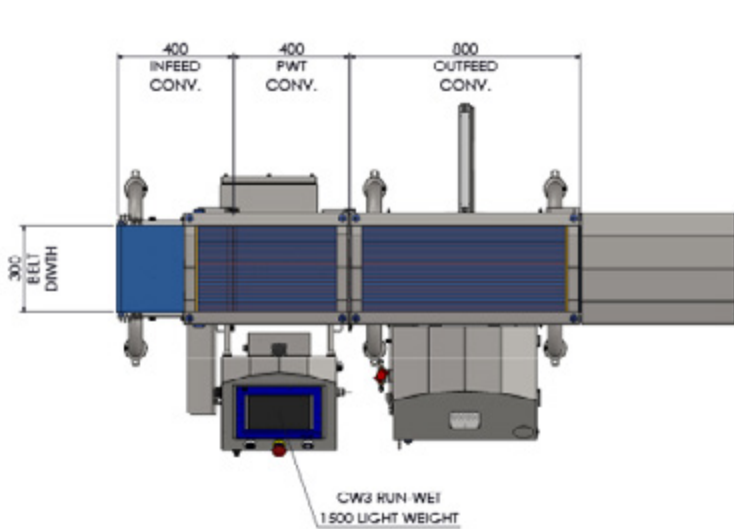
## Product Highlights

- A checkweigher for high-care, harsh washdown environment handling raw ingredients or food processed prior to cooking or final packaging
- Fully IP69 rated for high-pressure, high-temperature cleaning
- Multilevel password protection via RFID tags provides secure access and are logged against events for traceability (CFR21 part11)
- Approved systems to OIML R51 and MID (EC TAC)
- Automatic Mean Weight Correction to help meet weight legislation
- Extensive data logging and reporting via USB or ethernet for HACCP and retail compliance



# Technical Specification

	Models	
	1500L	6000M
Weight Range (g) MID/R51 Approved	50 - 1500	50 - 6000
Weight Range (g) Non - Approved	10 - 1500	25 - 6000
Belt Width (mm)	200   300	200   300   400
Finish	304 Stainless Steel	
Line Height Options (mm)	775 - 825   825 - 925   900 - 1100   1150 - 1550	
System Length (mm) - Application Dependant	Infeed: 300 - 1300 (in 100mm increments) Weighing Platform: 1500M 250 - 500   6000M 300 - 700 (in 50mm increments) Outfeed: 600 - 1300 (in 100mm increments)	
Maximum Speed	115m/min	
Supply Voltages	110 or 230V/1ph / N+E 50 or 60Hz	
Air Supply	5 to 8 Bar, 72-116 PSI	
Operating Temperatures	0-40°C	
IP Rating	IP69	
Belt Type	PU Anti Static (Steam / Vapour Proof)	
Data Retrieval	Via USB, Ethernet, TRACS	
Automatic Reject Options	Pusher, Dual Air Blast	



Distributed on behalf of Loma Systems®



**Inspection Systems AUS & NZ**  
 inspectionsystems.com.au | inspectionsystems.co.nz  
 Tel: 1800 354 302 (AUS) | 0800 777 704 (NZ)  
 Email: info@inspectionssystem.com.au



An ITW Company

[www.loma.com](http://www.loma.com)

Loma Systems is a registered trademark of Illinois Tool Works Inc. (ITW). Other names, logos, icons and marks identifying our products and services referenced herein are trademarks of ITW and may not be used without the prior written permission of ITW. Other product and company names listed are trademarks or trade names of their respective companies. Copyright © 2021 Illinois Tool Works Inc. All rights reserved. All of the specifications shown in this document are subject to change without notice.

CW3RWDIS\_893202104